

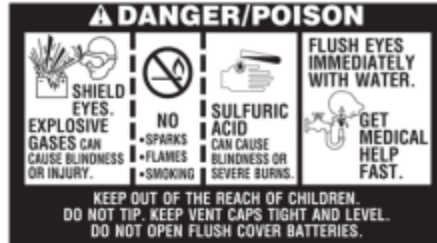


# Angler Armor Complete Instruction Guide

 **CAUTION!** Before you begin, please observe all safety precautions. Use appropriate Personal Protective Equipment. Seek qualified help when needed. Use extreme caution when working near the battery and wear hearing protection when working near siren. Do not use power supply in damp or wet conditions. 




## 1 Attach Power Supply



 **DO NOT ALLOW CONNECTORS TO SHORT CIRCUIT PRIOR TO INSTALLATION. BATTERY DAMAGE CAN OCCUR-USE CAUTION**

Connections must be made to START battery Attach BLACK wire to NEGATIVE terminal and RED wire to POSITIVE terminal.

 **CAUTION-WHEN WORKING NEAR THE BATTERY PLEASE OBSERVE PRECAUTIONS AND USE APPROPRIATE SAFETY EQUIPMENT**



## 2 Download App

Click SIGN UP and enter email address  
Check "Agree to Terms"

Click on "Continue" then "Ok, Got It"



Android



iPhone



## 3 Open Invite Email

Click CREATE PASSWORD. Browser opens where you can create password. Agree to Terms and click "CONTINUE". Your new dashboard opens.



## 4 Go back to App

Enter Credentials and click "LOG IN". Locate email with Device QR code that we sent you. Click "ADD NEW DEVICE" and then choose "SCAN QR Code".



## Scan QR Code

- 5 Click on "Scan QR Code" and then choose "Allow" for camera access. On the Device Connected screen you can rename the device by tapping on the Name Device field. Click "Continue". On the Finish Set Up Screen click "Continue", "Done" and "Finish and Exit". App appears on screen and is ready to use.



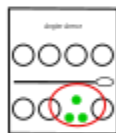
## Locate Central Processor

- Test fit Central Processor on battery compartment lid. Make sure cable will not become damaged when lid is closed. Mount Central Processor as high up on lid as possible without striking compartment lip or anything inside locker. When satisfied, peel backing from hook 'n loop and mount Central Processor.
- 6



## Locate Siren

- Siren is pre-wired to Central Processor. Test fit location prior to mounting. Make sure that cable will not become damaged when lid is closed. Mount Siren so that it will not be standing in water or able to fill with water. There are endless mounting possibilities therefore, no hardware is provided.
- 7



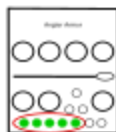
## Verify Connectivity in App

- Central Processor-Wait for the 3 virtual LED's to turn GREEN. Radio-ON indicates Cellular radio is on and connected. Fix-GOOD indicates there is a locked GPS signal. Ready indicates the device is ready to ARM.
- 8



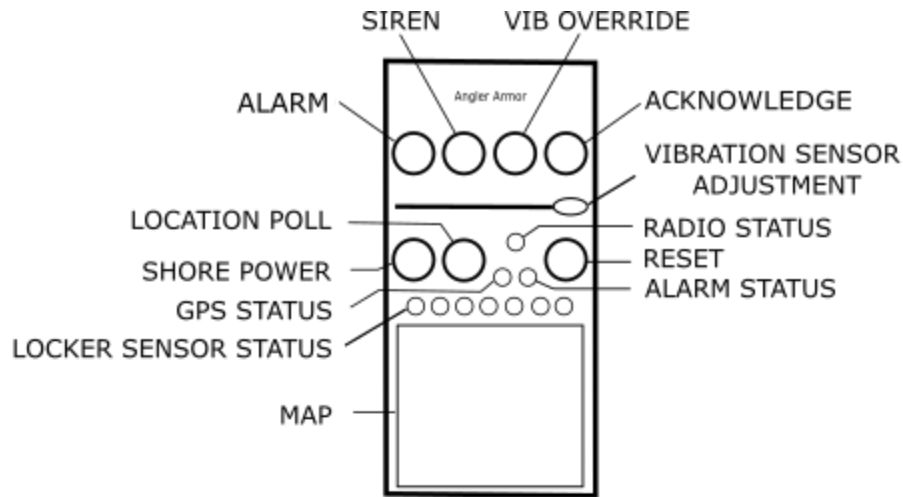
## Locate Locker Sensors

- There are 5 locker sensors. You may place them in any locker you wish to monitor. Make sure to place them as high as possible on the locker lid. Pay attention to placement so the sensor does not strike anything inside the locker or the compartment lip. When satisfied with placement, pull plastic battery tab to power sensor, peel backing from hook 'n loop and mount sensor.
- 9



## Verify Connectivity in App

- Locker Sensors-There are 7 virtual LED's used to show the connection status of the locker sensors. Once you power up the sensors, the first 5 LED's should be GREEN. You may see an LED change occasionally to RED and back to GREEN. This is considered normal operation. The last 2 LED's are for optional sensors and will remain OFF until they are added.
- 10



## APP OVERVIEW

Button highlights change color when the button is pressed. For ON/OFF buttons, the highlight is present when ON and not present when OFF. For Momentary buttons, the highlight is only present when pressing the button



SIREN-ON/OFF button. Press to activate/deactivate.



ALARM-ON/OFF button. Press to ARM or DISARM. Alarm Status LED is GREEN and labeled READY when Disarmed. It is RED and labeled ARMED when armed.



LOCATION POLL-Momentary push button. Press to obtain current GPS location of device. Press ACKNOWLEDGE button to clear location poll.



SHORE POWER-ON/OFF switch. Press to activate Shore Power monitoring. This feature is only available when device is ARMED.



GPS Status-When GREEN labeled Fix is Good. When RED labeled Fix is Lost.



LOCKER SENSOR STATUS-Shows the current connection status of the locker sensors. GREEN is connected and Red is disconnected.



MAP-Shows location of device via a pin drop. Multiple pin drops show track.



VIB OVERRIDE-ON/OFF switch. Press to activate Vibration Override and press again to deactivate



ACKNOWLEDGE-Momentary push button. When pressed, clears all data from the map. Also cancels any alarm triggers and stops siren.



VIBRATION SENSOR ADJUSTMENT-Slider used to adjust the sensitivity of the vibration sensor. Slide to the right for most sensitivity and to the left for the least sensitivity.



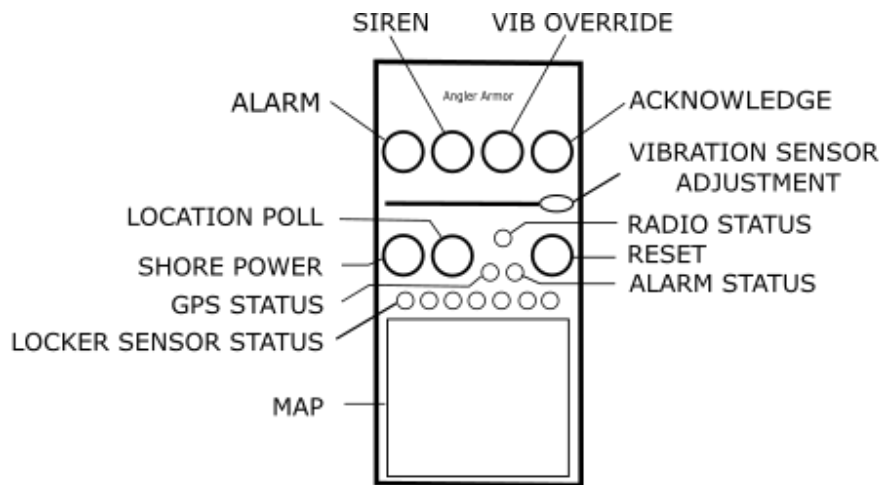
RADIO STATUS-Provides status of the cellular radio. GREEN and labeled On, radio is On. RED and labeled Off, radio is OFF.



RESET-Momentary push button. Used to reboot the device.



ALARM STATUS-When GREEN and labeled Ready, Alarm is disarmed. When RED and labeled Armed, alarm is Armed. When YELLOW and labeled Stdby alarm cannot be Armed.



On      Fix-Good      Ready

●      ●      ●

Confirm that Radio Status is GREEN/On, GPS Status is GREEN/Fix-Good and Alarm Status is GREEN/Ready.

Off      Fix-Good      Ready

●      ●      ●

If the Radio Status is RED/Off the cellular radio is off and you cannot control the device. This condition occurs when the Start Battery is below a preprogrammed value while the device is disarmed. Check that the start battery is fully charged and the central processor is connected.

On      Fix-Lost      Stdby

●      ●      ●

If the Radio Status is GREEN/On but the GPS Fix is Lost, the alarm will be in Stdby mode and cannot be armed. Allow the device to obtain a valid GPS Fix prior to attempting to arm the device.

R1   R2   R3   R4   R5   R6   R7

●   ●   ●   ●   ●   ○   ○

Confirm that Locker Sensor Status R1-R5 LED's are GREEN. If you do not have the Motor Sensor or Topper Sensor R6 and R7 will remain OFF. (LED's may change between RED and GREEN-this is considered normal operation). The device can be armed even if the Locker Sensors are not connected, however no monitoring of the Lockers will take place.

DISARM   ARMED

ALARM-ON/OFF button. Press to ARM Alarm system. Alarm Status LED should change to RED and label should read Armed. All alarm triggers are now active. They are GEOFENCE, LOCKER SENSOR, VEHICLE START and VIBRATION.

GEOFENCE is preprogrammed. If the device moves outside the preprogrammed area while armed AND it exceeds a SOG (Speed Over Ground threshold) a GEOFENCE notification will be sent. The Siren will sound for 30 seconds and a pin will drop every 1 minute on the map to allow for tracking. When the device travels outside the GEOFENCE and is traveling over a preprogrammed speed, the only trigger that remains active is GEOFENCE. This is to avoid sending numerous triggers while you are trying to track your vehicle. Once the speed drops below the threshold the other triggers become active again without any input by the end user.

LOCKER SENSORS monitor the position of the Locker lids. When the device is armed if the lids are opened a notification will be sent and the siren will sound for 30 seconds.

VEHICLE START DETECTION- When the device is armed, if an attempt to start the boat is made a notification will be made and the siren will sound for 30 seconds.

VIBRATION SENSOR-When the device is armed if vibration is sensed that exceeds the user selected threshold a notification will be made and the siren will sound for 30 seconds. The adjustment is made by moving the Vibration Adjustment slider. To avoid false alarms, you will need to adjust the slider. Start by setting it all the way to the left and moving it towards the right until you are satisfied. In the event you cannot avoid false alarms such as high wind or excessive vibration from the environment, you can press the VIB OVERRIDE button to bypass the vibration sensor while still using the other features of your alarm.



## Notifications and their meanings

**GEOFENCE**-When the device is armed and it travels outside the defined geofence area AND it exceeds a SOG (Speed Over Ground) threshold, you will receive this notification. The siren will also sound for 30 seconds and a pin will drop every 1 minute on the map.

**LOCKER OPEN**-When the device is armed, if a Locker is opened, you will receive this notification. The siren will also sound for 30 seconds.

**LOCKER BATTERY LOW**-The Central Processor communicates with the Locker Sensors. When the Locker Sensor battery requires changing you will receive this notification. The notification is not specific to any one Locker Sensor. It is assumed that all of the Locker Sensors were powered up at the same time. Therefore, it is further assumed that they will all require a battery change at the same time. **REPLACE ALL LOCKER SENSOR BATTERIES WHEN THIS MESSAGE IS RECEIVED.** Failure to do so will result in a flat battery which also results in the affected locker not being monitored.

**BACKUP BATTERY ERROR**-The Central Processor has an internal backup battery that provides power to your alarm in the event that the main power supply is interrupted. If it fails to charge or reaches its end of life usefulness, you will receive this notification. **DO NOT ATTEMPT TO REPLACE THIS BATTERY WITHOUT CONTACTING ANGLER ARMOR FIRST. YOU CAN CAUSE DAMAGE BEYOND REPAIR BY ATTEMPTING THIS ON YOUR OWN. OPENING THE CENTRAL PROCESSOR CASE WITHOUT PRIOR AUTHORIZATION WILL VOID YOUR WARRANTY.**

**ACKNOWLEDGE BUTTON**-Pressing the ACKNOWLEDGE button during an alarm trigger will silence the siren. It will also discontinue dropping pins on the map and clear all pins from the map.

**SHORE POWER LOST**-If the device is armed, the SHORE POWER button is pressed AND the included power adapter is connected to the device and plugged in, when the power is lost you will receive this notification after a 10 second delay. The delay compensates for power flicker. You will receive one notification per event. So, if the power goes off and then comes back on, you will receive a second notification. If the power goes off and stays off, you will only receive one notification.

**VEHICLE BATTERY LOW**-The Central Processor should be connected to the start battery of your boat. This means that the Central Processor is monitoring the status of the start battery. When the device is DISARMED, if the battery value drops below a preprogrammed value, the cellular radio turns off and you will receive this notification. It is assumed that you are with your boat when it is DISARMED. This is meant to conserve your start battery to avoid stranding you. If the device is ARMED and the start battery value drops below the preprogrammed value, the cellular radio will continue to operate. It is assumed that you are not with your boat when it is ARMED so therefore we will sacrifice the start battery to continue to protect your boat.

**INTRUSION DETECTED**-The Central Processor can detect both vibration and movement. It should be mounted on the battery locker lid as directed. In the event that vibration is detected above the user defined threshold you will receive this notification. If someone opens your battery locker you will also receive this same notification. The siren will also sound for 30 seconds

The Siren is extremely LOUD. AVOID standing near the siren when it is sounding or use appropriate Personal Protective Equipment. Failure to use proper personal protective equipment may result in injury to the end user and it is your responsibility to take appropriate precautions when installing or using this alarm system.

The end user agrees to maintain their boat in good working order including but not limited to a fully charged start battery. Further, the alarm is designed to work with the gas struts installed on the locker lids. If yours need replacing, do so at the time of installation.

DO NOT USE the included power adapter in damp or wet locations. Doing so can result in electrocution hazard, injury or death.