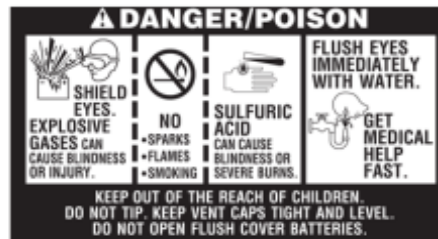


Angler Armor Complete Installation Instructions

CAUTION! Before you begin, please observe all safety precautions. Use appropriate Personal Protective Equipment. Seek qualified help when needed. Use extreme caution when working near the battery and wear hearing protection when working near siren. Do not use power supply in damp or wet conditions.



1 Attach Power Supply



DO NOT ALLOW CONNECTORS TO SHORT CIRCUIT PRIOR TO INSTALLATION. BACK UP BATTERY DAMAGE CAN OCCUR-USE CAUTION

Connections must be made to START battery Attach BLACK wire to NEGATIVE terminal and RED wire to POSITIVE terminal.

CAUTION-WHEN WORKING NEAR THE BATTERY PLEASE OBSERVE PRECAUTIONS AND USE APPROPRIATE SAFETY EQUIPMENT



2 Download App

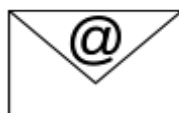
After downloading app, close app store screen. DO NOT OPEN APP or CREATE ACCOUNT. Proceed to step 3



Android



iPhone



3 Open Invite Email

Open invite email from Blynk on your smartphone. Click on "CREATE PASSWORD" link. This will open the app on your smart phone.



4 App is now open

Create a password. After creating your password you will be logged in to the app. Tap on "Add new device" and locate QR code inside product packaging.



5 Scan QR Code

Click on "Scan QR Code" and then choose "Allow" for camera access. On the Device Connected screen you can rename the device by tapping on the "Name Device" field. Click "Continue". On the Finish Set Up Screen click "Continue", "Done" and "Finish and Exit". App appears on screen and is ready to use.



6 Locate Central Processor

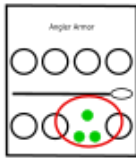
Test fit Central Processor on battery locker lid.

6 Make sure cable will not become damaged when locker lid is closed. Mount Central Processor as high up on locker lid as possible without striking locker lip or anything inside locker. When satisfied, peel backing from hook 'n loop and mount Central Processor on battery locker lid.



7 Locate Siren

7 Siren is pre-wired to Central Processor. Test fit location prior to mounting. Make sure that cable will not become damaged when lid is closed. Mount Siren so that it will not be standing in water or able to fill with water. There are endless mounting possibilities therefore, no hardware is provided.



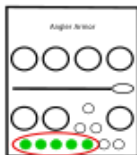
8 Verify Connectivity in App

8 Central Processor-Wait for the 3 virtual LEDs to turn GREEN. Radio-ON indicates Cellular radio is on and connected. Fix-GOOD indicates there is a locked GPS signal. Ready indicates the device is ready to ARM.



9 Locate Locker Sensors

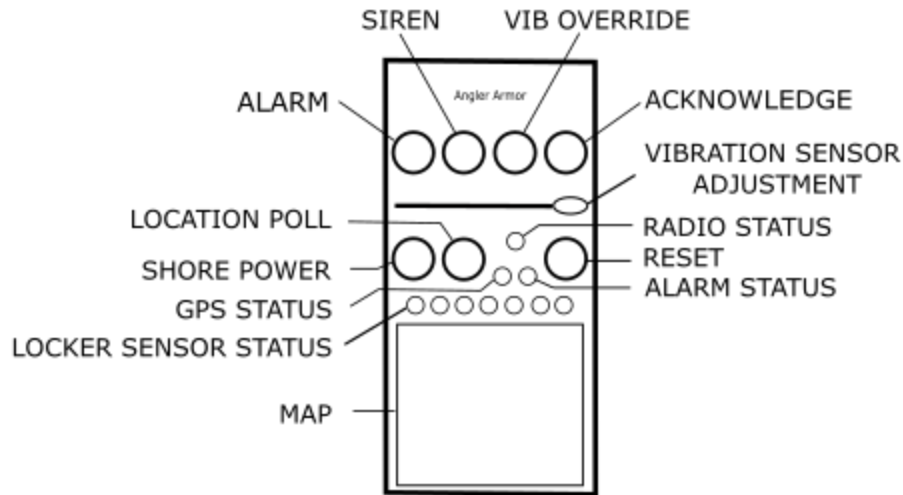
9 There are 5 locker sensors. You may place them in any locker you wish to monitor. Make sure to place them as high as possible on the compartment lid. Pay attention to placement so the sensor does not strike anything inside the locker or the locker lip. When satisfied with placement, pull plastic battery tab to power sensor, peel backing from hook 'n loop and mount sensor.



10 Verify Connectivity in App

10 Locker Sensors-There are 7 virtual LEDs used to show the connection status of the locker sensors. Once you power up the sensors, the first 5 LEDs should be GREEN. You may see an LED change occasionally to CLEAR and back to GREEN. This is considered normal operation. The last 2 LEDs are for optional sensors and will remain OFF until they are added.

Angler Armor Complete Installation Instructions



APP OVERVIEW

Button highlights change color when the button is pressed. For ON/OFF buttons, the highlight is present when ON and not present when OFF. For Momentary buttons, the highlight is only present when pressing the button



SIREN-ON/OFF button. Press to activate/deactivate.



ALARM-ON/OFF button. Press to ARM or DISARM. Alarm Status LED is GREEN and labeled READY when Disarmed. It is RED and labeled ARMED when armed.



LOCATION POLL-Momentary push button. Press to obtain current GPS location of device. Press ACKNOWLEDGE button to clear location poll.



SHORE POWER-ON/OFF switch. Press to activate Shore Power monitoring. This feature is only available when device is ARMED.



GPS Status-When GREEN labeled Fix is Good. When RED labeled Fix is Lost.



LOCKER SENSOR STATUS-Shows the current connection status of the locker sensors. GREEN is connected and CLEAR is disconnected.



MAP-Shows location of device via a pin drop. Multiple pin drops show track.



VIB OVERRIDE-ON/OFF switch. Press to activate Vibration Override and press again to deactivate. This feature is only available when device is ARMED.



ACKNOWLEDGE-Momentary push button. When pressed, clears all data from the map. Also cancels any alarm triggers and stops siren.



VIBRATION SENSOR ADJUSTMENT-Slider used to adjust the sensitivity of the vibration sensor. Moving the slider to the left decreases the amount of force required to trigger vibration sensing. Moving the slider to the right increases the amount of force required.



RADIO STATUS-Provides status of the cellular radio. GREEN and labeled On, radio is On. RED and labeled Off, radio is OFF.

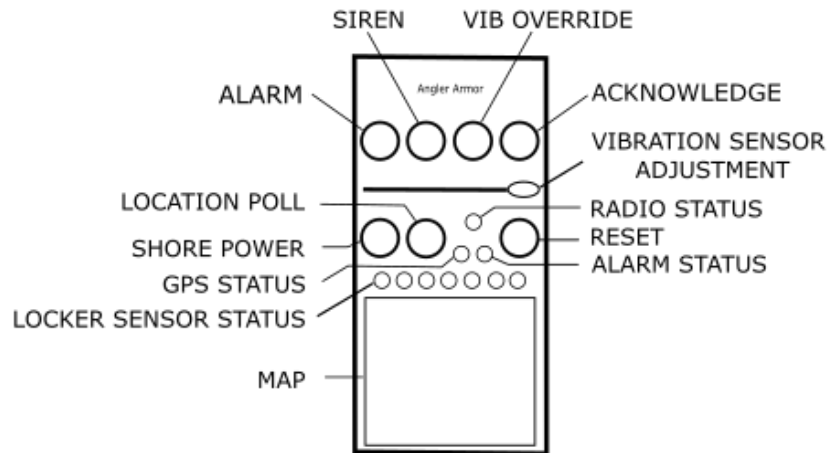


RESET-Momentary push button. Used to reboot the device.



ALARM STATUS-When GREEN and labeled Ready, Alarm is disarmed. When RED and labeled Armed, alarm is Armed. When YELLOW and labeled Stdby alarm cannot be Armed.

Angler Armor Complete Installation Instructions



Confirm that Radio Status is GREEN/On, GPS Status is GREEN/Fix-Good and Alarm Status is GREEN/Ready.



If the Radio Status is RED/Off the cellular radio is off and you cannot control the device. This condition occurs when the Start Battery is below a preprogrammed value while the device is disarmed. Check that the start battery is fully charged and the central processor is connected.



If the Radio Status is GREEN/On but the GPS Fix is Lost, the alarm will be in Stdby mode and cannot be armed. Allow the device to obtain a valid GPS Fix prior to attempting to arm the device.



Confirm that Locker Sensor Status R1-R5 LEDs are GREEN. If you do not have the Motor Sensor or Topper Sensor R6 and R7 will remain OFF. (LEDs may change between GREEN and CLEAR-this is considered normal operation). The device can be armed even if the Locker Sensors are not connected, however no monitoring of the Lockers will take place.



ALARM-ON/OFF button. Press to ARM Alarm system. Alarm Status LED should change to RED and label should read Armed. All alarm triggers are now active. They are GEOFENCE, LOCKER SENSOR, VEHICLE START and VIBRATION.

GEOFENCE is preprogrammed. If the device moves outside the preprogrammed area while armed AND it exceeds a SOG (Speed Over Ground threshold) a GEOFENCE notification will be sent. The Siren will sound for 30 seconds and a pin will drop every 1 minute on the map to allow for tracking. When the device travels outside the GEOFENCE and is traveling over a preprogrammed speed, the only trigger that remains active is GEOFENCE. This is to avoid sending numerous triggers while you are trying to track your vehicle. Once the speed drops below the threshold the other triggers become active again without any input by the end user.

LOCKER SENSORS monitor the position of the Locker lids. When the device is armed if the lids are opened a notification will be sent and the siren will sound for 30 seconds.

VEHICLE START DETECTION- When the device is armed, if an attempt to start the boat is made a notification will be made and the siren will sound for 30 seconds.

VIBRATION SENSOR-When the device is armed if vibration is sensed that exceeds the user selected threshold a notification will be made and the siren will sound for 30 seconds. The adjustment is made by moving the Vibration Adjustment slider. To avoid false alarms, you will need to adjust the slider. Start by setting it all the way to the left and moving it towards the right until you are satisfied. In the event you cannot avoid false alarms such as high wind or excessive vibration from the environment, you can press the VIB OVERRIDE button to bypass the vibration sensor while still using the other features of your alarm.

Angler Armor Complete Installation Instructions

Notifications and their meanings

GEOFENCE-When the device is armed and it travels outside the defined geofence area AND it exceeds a SOG (Speed Over Ground) threshold, you will receive this notification. The siren will also sound for 30 seconds and a pin will drop every 1 minute on the map.

LOCKER OPEN-When the device is armed, if a Locker is opened, you will receive this notification. The siren will also sound for 30 seconds.

LOCKER BATTERY LOW-The Central Processor communicates with the Locker Sensors. When the Locker Sensor battery requires changing you will receive this notification. The notification is not specific to any one Locker Sensor. It is assumed that all of the Locker Sensors were powered up at the same time. Therefore, it is further assumed that they will all require a battery change at the same time. **REPLACE ALL LOCKER SENSOR BATTERIES WHEN THIS MESSAGE IS RECEIVED.** Failure to do so will result in a flat battery which also results in the affected locker not being monitored.

BACKUP BATTERY ERROR-The Central Processor has an internal backup battery that provides power to your alarm in the event that the main power supply is interrupted. If it fails to charge or reaches its end of life usefulness, you will receive this notification. **DO NOT ATTEMPT TO REPLACE THIS BATTERY WITHOUT CONTACTING ANGLER ARMOR FIRST. YOU CAN CAUSE DAMAGE BEYOND REPAIR BY ATTEMPTING THIS ON YOUR OWN. OPENING THE CENTRAL PROCESSOR CASE WITHOUT PRIOR AUTHORIZATION WILL VOID YOUR WARRANTY.**

ACKNOWLEDGE BUTTON-Pressing the ACKNOWLEDGE button during an alarm trigger will silence the siren. It will also discontinue dropping pins on the map and clear all pins from the map.

SHORE POWER LOST-If the device is armed, the SHORE POWER button is pressed AND the included power adapter is connected to the device and plugged in, when the power is lost you will receive this notification after a 10 second delay. The delay compensates for power flicker. You will receive one notification per event. So, if the power goes off and then comes back on, you will receive a second notification. If the power goes off and stays off, you will only receive one notification.

VEHICLE BATTERY LOW-The Central Processor should be connected to the start battery of your boat. This means that the Central Processor is monitoring the status of the start battery. When the device is DISARMED, if the battery value drops below a preprogrammed value, the cellular radio turns off and you will receive this notification. It is assumed that you are with your boat when it is DISARMED. This is meant to conserve your start battery to avoid stranding you. If the device is ARMED and the start battery value drops below the preprogrammed value, the cellular radio will continue to operate. It is assumed that you are not with your boat when it is ARMED so therefore we will sacrifice the start battery to continue to protect your boat.

INTRUSION DETECTED-The Central Processor can detect both vibration and movement. It should be mounted on the battery locker lid as directed. In the event that vibration is detected above the user defined threshold you will receive this notification. If someone opens your battery locker you will also receive this same notification. The siren will also sound for 30 seconds

The Siren is extremely LOUD. AVOID standing near the siren when it is sounding or use appropriate Personal Protective Equipment. Failure to use proper personal protective equipment may result in injury to the end user and it is your responsibility to take appropriate precautions when installing or using this alarm system.

The end user agrees to maintain their boat in good working order including but not limited to a fully charged start battery. Further, the alarm is designed to work with the gas struts installed on the locker lids. If yours need replacing, do so at the time of installation.

DO NOT USE the included power adapter in damp or wet locations. Doing so can result in electrocution hazard, injury or death.

Federal Communication Commission Interference Statement This equipment has been tested and found to comply with the limits for a Class B digital device, pursuant to Part 15 of the FCC Rules. These limits are designed to provide reasonable protection against harmful interference in a residential installation. This equipment generates, uses and can radiate radio frequency energy and, if not installed and used in accordance with the instructions, may cause harmful interference to radio communications. However, there is no guarantee that interference will not occur in a particular installation. If this equipment does cause harmful interference to radio or television reception, which can be determined by turning the equipment off and on, the user is encouraged to try to correct the interference by one of the following measures:

- Reorient or relocate the receiving antenna.
- Increase the separation between the equipment and receiver.
- Connect the equipment into an outlet on a circuit different from that to which the receiver is connected.
- Consult the dealer or an experienced radio/TV technician for help.

FCC Caution: Any changes or modifications not expressly approved by the party responsible for compliance could void the user's authority to operate this equipment. This device complies with Part 15 of the FCC Rules. Operation is subject to the following two conditions:

1. This device may not cause harmful interference, and
2. This device must accept any interference received, including interference that may cause undesired operation.

FCC Radiation Exposure Statement: This equipment complies with FCC radiation exposure limits set forth for an uncontrolled environment. This transmitter module must not be co-located or operating in conjunction with any other antenna or transmitter. This End equipment should be installed and operated with a minimum distance of 20 centimeters between the radiator and your body.

IMPORTANT NOTE: In the event that these conditions can not be met (for example certain laptop configurations or co-location with another transmitter), then the FCC authorization is no longer considered valid and the FCC ID can not be used on the final product. In these circumstances, the OEM integrator will be responsible for re-evaluating the end product (including the transmitter) and obtaining a separate FCC authorization.

Contains FCC ID: 2AKDDRUUVITAG(Ruuvitag)

TCB	GRANT OF EQUIPMENT AUTHORIZATION Certification Issued Under the Authority of the Federal Communications Commission By:	TCB			
	PHOENIX TESTLAB GmbH Koenigswinkel 10 32825 Blomberg, Germany	Date of Grant: 01/04/2017 Application Dated: 01/04/2017			
Ruuvi Innovations Ltd. c/o Solventia Rauhankatu 20 B 20 Porvoo, 06100 Finland					
Attention: Lauri Jamsa					
NOT TRANSFERABLE					
EQUIPMENT AUTHORIZATION is hereby issued to the named GRANTEE, and is VALID ONLY for the equipment identified hereon for use under the Commission's Rules and Regulations listed below.					
FCC IDENTIFIER: 2AKDDRUUVITAG					
Name of Grantee: Ruuvi Innovations Ltd.					
Equipment Class: Part 15 Low Power Communication Device Transmitter					
Notes: Open-Source Sensor Beacon					
Grant Notes	FCC Rule Parts 15C	Frequency Range (MHZ) 2402.0 - 2480.0	Output Watts	Frequency Tolerance	Emission Designator